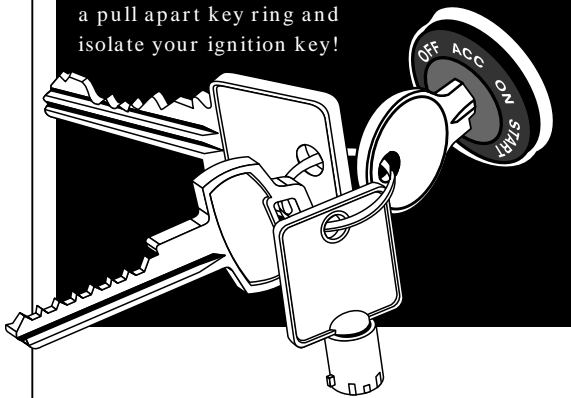


DO IT YOURSELF TIP

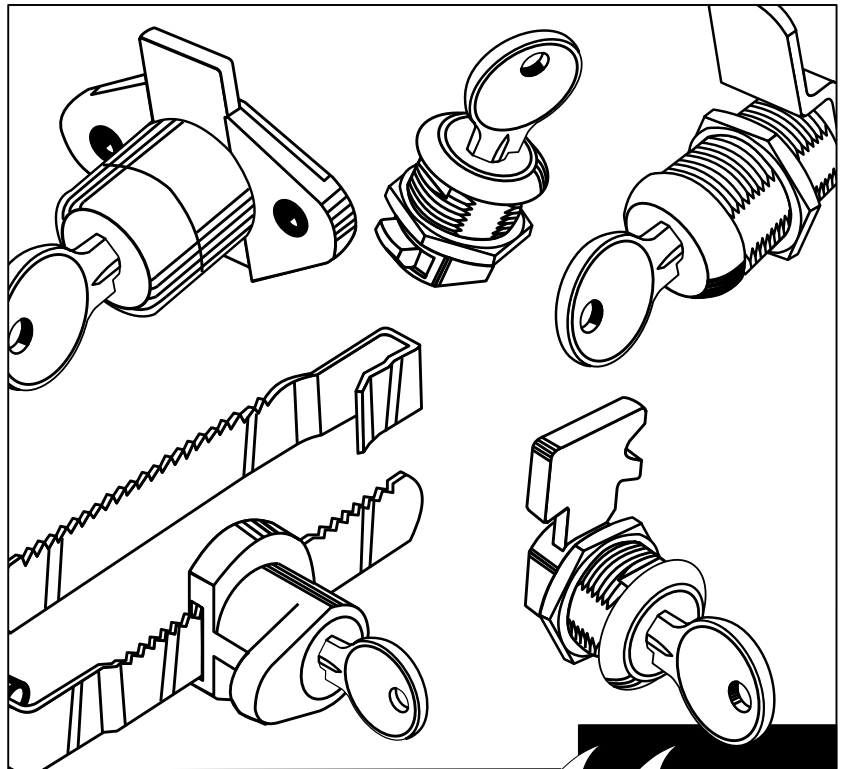
Too Many Keys Might Actually Ruin the Locks They Operate

Have you ever seen one of those huge key rings with all of those keys, bottle openers and "stuff" hanging from the ring? While it may look impressive, chances are, when you have keys hanging in a lock the weight may be damaging the lock.

This problem is most common with auto ignitions. The weight of the keys can wear down the tumblers and cause an expensive failure. The best solution? Use a pull apart key ring and isolate your ignition key!



SECURITY TRENDS



"Quotable Quotes"

How Many Keys Do You Have for All of the Little Locks in Your Life?

Few people stop to think about all of the keys they have to carry around. A few are obvious, home, office door, car keys etc. but what about all of those little keys? File cabinets, desks, storage cabinets, computers and more. When you add it up, this is a lot of keys.

This problem has been addressed by a new breed of after market lock manufacturers who have designed and manufactured locks with the world of office equipment in mind.

You Can Carry Just One Key
"Multi-Function" locks have been designed and packaged with all of the parts needed to allow the locks to be used in most common applications, but even more impressive is that they use a

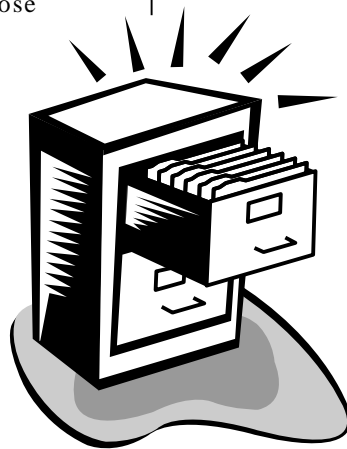


Image having just one key for all your file cabinets!

"Universal Keyway" making it so that one key can be used to operate a variety of locks. This gives you the ultimate in convenience. Your desk, your file cabinets, your storage cabinets and even glass showcases can all have locks which are operated by the same key.

Security for Cabinets
The best part is that most of these lock applications are also available with high security tubular keys. This gives you the best of both worlds,

security and convenience.

Simplify Your Life

If you are overwhelmed by all of the

"More things grow in the garden than the gardener sows."

— Spanish Proverb



"We are all inclined to judge ourselves by our ideals; others, by their acts."

—Harold Nicholson



"Forgiveness is a gift of high value. Yet its cost is nothing."

—Betty Smith



"Freedom consists not in doing what we like, but having the right to do what we ought."

—Pope John Paul II